

Webb

Floor screen

Design: Nils Gulin



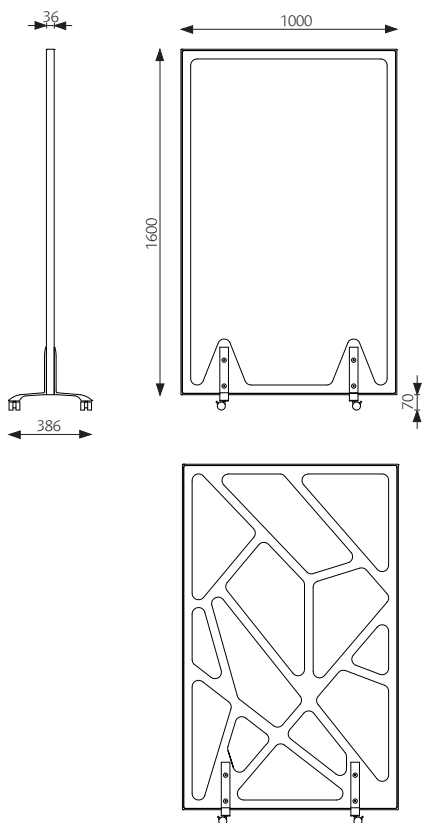
Webb

Floor screen

Design: Nils Gulin

Webb is a sound absorbing and very sound reducing floor screen with a pattern inspired by modern construction and spider webs. The very thin frame in solid wood and the painted pattern gives an exciting contrast of material to the molded polyester felt. The screen is mobile as it is always supplied with aluminum feet on castors.

DIMENSIONS



Weight: 21,5 kg

Volume: 0,08 m³

DESCRIPTION

Frame: Solid birch, natural or stained

Body: 6 mm MDF board (Nordic Ecolabel)

Sound absorbent: The frame is provided on both sides with an anthracite colored molded polyester felt, 10 mm, 1,5 kg/m²

Pattern: Open or net, 5 mm MDF board (Nordic Ecolabel)

Foot on castors: Aluminium 386 x 40 x 6 mm

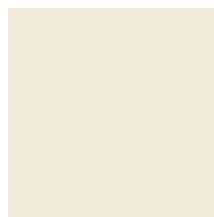
Installation: The feet are screwed into the bottom of the wooden frame (M6).

100% recyclable materials.

OPTIONS

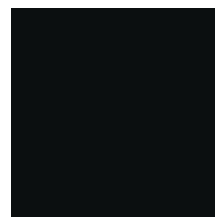
Frame and pattern: Birch natural (frame only), NCS S 0502-Y White, NCS S 9000-N Black, NCS S 3560-Y80R Red or NCS S 2070-Y30R Yellow

White



NCS S 0502-Y

Black



NCS S 9000-N

Red



NCS S 3560-Y80R

Yellow



NCS S 2070-Y30R

Colours, printed or displayed on screen, are displayed as a guide and colour variations may occur. We advise you request actual samples before ordering.

CERTIFICATES

Glimakra of Sweden AB is certified according to ISO 9001:2015 and ISO 14001:2015.



SPECIFICATION TEXT

E.g: Glimakra Webb floor screen on castors 1000 x 1600 mm.
Frame white, net white.

Webb

Floor screen

Design: Nils Gulin

