

PRODUCT SHEET / 2023 10 05

Contrast

Floor screen

Design: Team Glimakra



GLIMAKRA
OF SWEDEN



Contrast

Floor screen

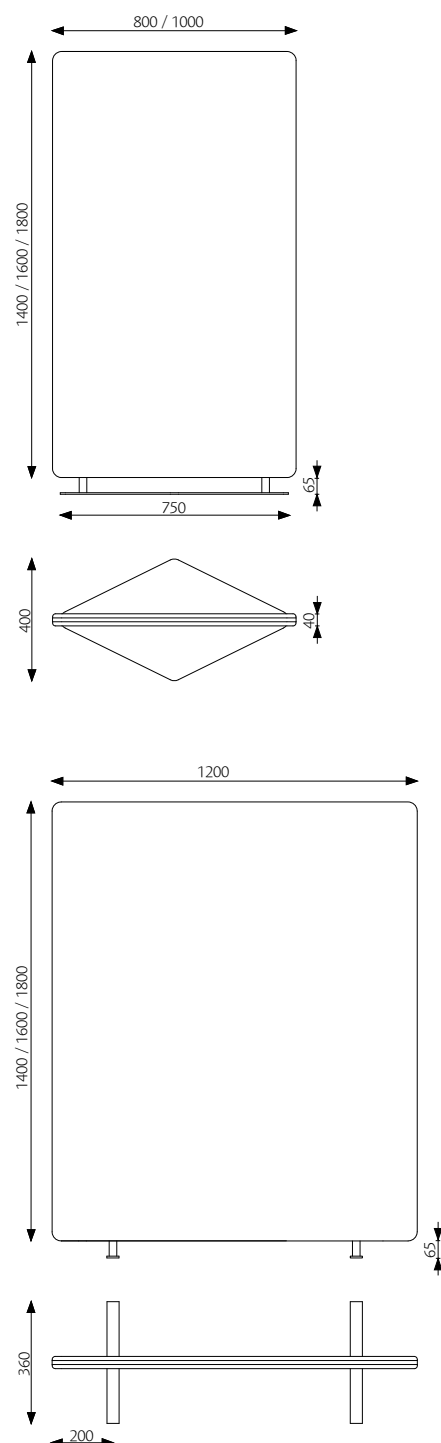
Design: Team Glimakra



GLIMAKRA
OF SWEDEN

Contrast is our first floor screen based on the original version with 40 mm fabric-covered screen with straight lines, rounded edges and a plastic profile around the screen. The floor screen has a perfect balance between sound absorption and sound propagation that is achieved with a sound reducing body and a sound absorbing polyether on both sides. The flexibility in size and fabric selection allows the screens to be customized to most environments.

DIMENSIONS



Other dimensions on request.

Thickness: 40 mm

Weight: 19 kg/m²

DESCRIPTION

Body: 15 mm sound absorbing polyether (Oeko-Tex) glued on both sides of an 8 mm sound reducing MDF board (Nordic Ecolabel) with a 40 mm frame.

Upholstery: Upholstered with fabric on both sides. The nails are covered with a plastic moulding.

Foot: Diamond shaped matte chrome-plating 750 x 400 x 6 mm. Only for screen with width less than 1001 mm. For wider screens, use straight feet, powder coated grey 360 x 40 x 6 mm.

Total height leg with foot: 65 mm.

Installation: The feet are mounted with an allen key. 100% recyclable materials.

FABRIC AND PIPING

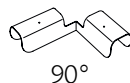
Look in Product sheet Fabric and piping.pdf for our standard fabrics, you can download it here:

<http://glimakra.com/en/download/>.

OPTIONS

Moulding: Black, white or grey.

Top fitting:



Addon: Dimensioned add on screen in acrylic plastic. More information in separate product sheet.

Contrast

Floor screen

Design: Team Glimakra



GLIMAKRA
OF SWEDEN

CERTIFICATES

Acoustics: Measurements made in accordance with ISO 354:2003. Evaluation made according to standards for individual objects SS 25269:2013 (Report 10171560.03, Date 2012-01-30, WSP Akustik, laboratory accredited by Swedac)

Möbelfakta: The product meets the requirements for quality and social responsibility defined by Möbelfakta.

Glimakra of Sweden AB is certified according to ISO 9001:2015 and ISO 14001:2015.



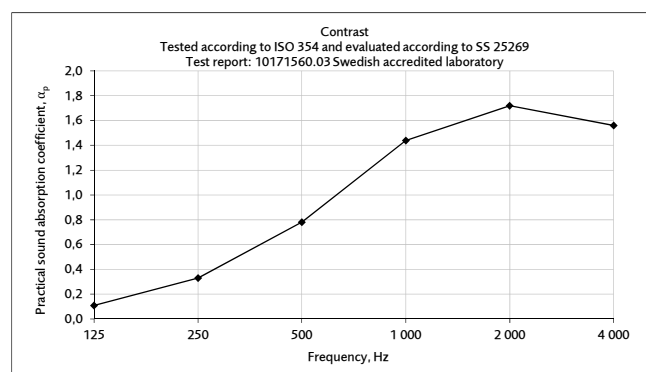
SPECIFICATION TEXT

E.g: Contrast floor screen 1600 x 1200 x 40 mm.

2 x 15 mm sound absorbing polyether on both sides of an 8 mm sound reducing MDF board.

Fabric: Blazer CUZ 28 on the inside and Blazer CUZ 30 on the outside. No visible seams. Nails hidden by a black plastic moulding.

Acoustics evaluated according to SS 25269.



Equivalent absorption area per m² screen surface (m²S/m²)

The values are to be multiplied by the screen area.

Contrast

Floor screen

Design: Team Glimakra



GLIMAKRA
OF SWEDEN

