

PRODUCT SHEET / 2020 02 20

LimbusReception

Reception desk

Design: Team Glimakra



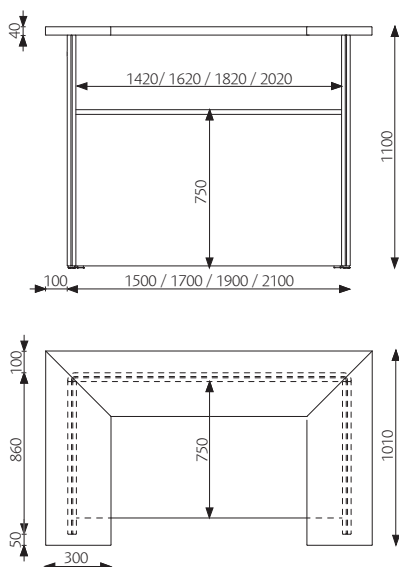
LimbusReception

Reception desk

Design: Team Glimakra

LimbusReception is a fabric-covered sound absorbing reception desk that is consisting of screens connected with hidden keyhole fittings in rounded corners. The design fits perfectly together with the other products in the range of Limbus by Glimakra. The desktop in ash is 40 mm and the worktop is 23 mm. These give the reception desk a great quality feel. LimbusReception is an ergonomic workplace with seat and stand table, lighting and ability of outlet and cable tray, etc.

DIMENSIONS



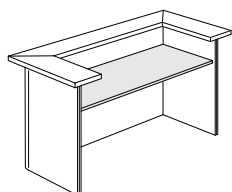
Other dimensions on request.

Thickness: 40 mm

Worktop:

Width fixed worktop: 80 mm shorter than the outside dimension of the front screen of the reception desk

Width height adjustable worktop: 100 mm shorter than the outside dimension of the front screen of the reception desk



Depth: 750 mm

DESCRIPTION

Body: 15 mm sound absorbing polyether (Oeko-Tex) glued on both sides of an 8 mm sound reducing MDF board (Nordic Ecolabel) with a 40 mm frame.

Upholstery: Upholstered with fabric on both sides. The nails are covered with a decorative piping.

Desktop: 38 mm light weight MDF in white stained ash with mitered corners. Integrated LED lighting both on the inside and the outside of the reception desk.

Mounting screens: Connected with hidden keyhole fittings in rounded corners, RC. Delivered unassembled.

Mounting desktop: Fixed to the inside with small visible corner brackets. Comes in one piece with LED lighting mounted.

Mounting fixed worktop: Fixed to the inside with small visible corner brackets.

Mounting height adjustable worktop: Easy mounting with special fittings.

100% recyclable materials.

FABRIC AND PIPING

Look in Product sheet Fabric and piping.pdf for our standard fabrics, you can download it here: <http://glimakra.com/en/download/>.

LimbusReception

Reception desk

Design: Team Glimakra



OPTIONS

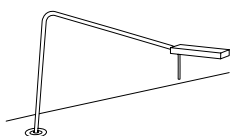
Worktop: Veneer 22 mm in ash, birch, beech, oak or laminate in birch, beech, oak, white, black, grey.

Electric stand: Linak lifting columns integrated in the sides.

Table height 600-1100 mm. Max. force: 1200 N/leg.

Power, data, USB: The worktop can be equipped with

Powerdot or Axessline outlets.



TableLamp: With integrated table fitting. More information in separate product sheet.

CERTIFICATES

Acoustics: Measurements made in accordance with ISO 354:2003. Evaluation made according to standards for individual objects SS 25269:2013 (Report 10171560.03, Date 2012-01-30, WSP Akustik, laboratory accredited by Swedac)

Möbelfakta: The product meets the requirements for environment and social responsibility defined by Möbelfakta.

Glimakra of Sweden AB is certified according to ISO 9001:2015 and ISO 14001:2015.



SPECIFICATION TEXT

E.g: Glimakra LimbusReception 1700 x 860 mm.

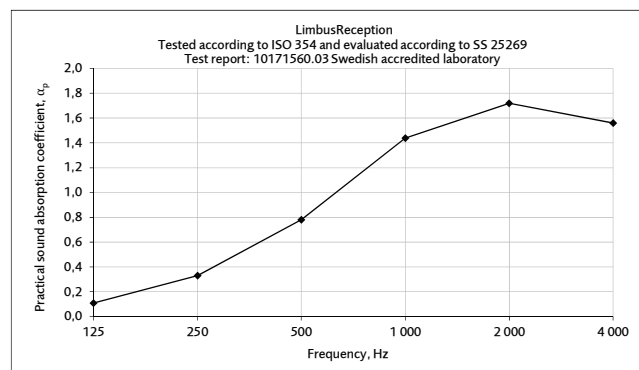
Hidden connections.

2 x 15 mm sound absorbing polyether on both sides of an 8 mm sound reducing MDF board.

Fabric: Blazer CUZ 28 on the inside and Blazer CUZ 30 on the outside. No visible seams. Nails hidden by piping black 190.

Desktop 40 mm white stained ash. Integrated LED lighting on the inside and outside.

Fixed worktop in ash veneer.



Equivalent absorption area per m² screen surface (m²S/m²)

The values are to be multiplied by the screen area.

LimbusReception

Reception desk

Design: Team Glimakra



GLIMAKRA
OF SWEDEN

