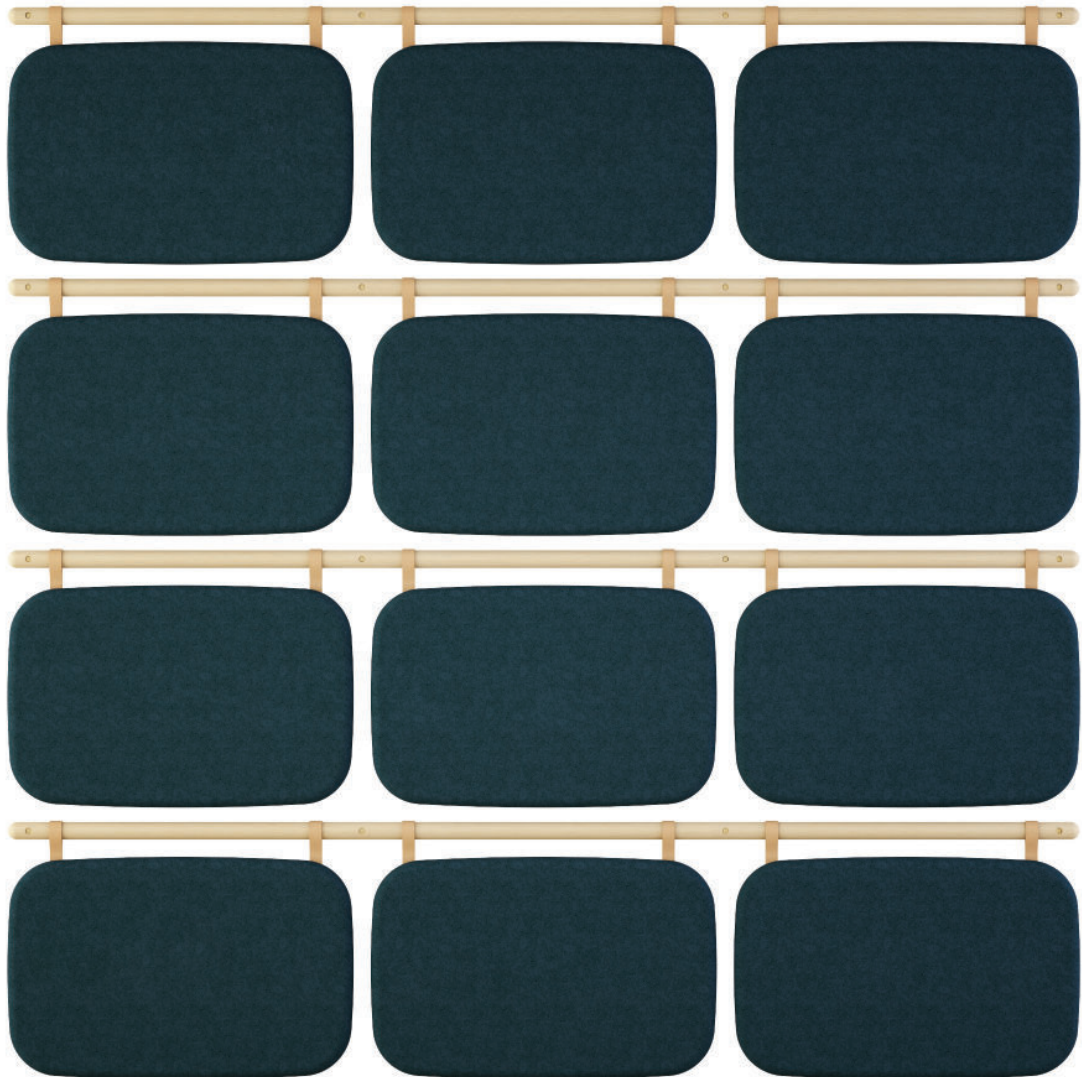


Hilja

Wall absorbent / Backrest

Design: Johan Kauppi



Hilja

Wall absorbent / Backrest

Design: Johan Kauppi

Hilja means "quiet" or "calm" in Finnish and is a decorative wall absorbent with soft shapes, to contribute to a peaceful and cozy atmosphere. Hilja wall absorbent has the shape of a superellipse which gives a pleasant impression. The suspension is made with leather straps around a half round birch bar available in three lengths. The wall absorbents can be used as wall mounted backrest to complement benches, such as Wakufuru sound absorbing benches, and site-built seatings. They can also be used independently to create beautiful and functional wall environments while achieving good sound absorption.

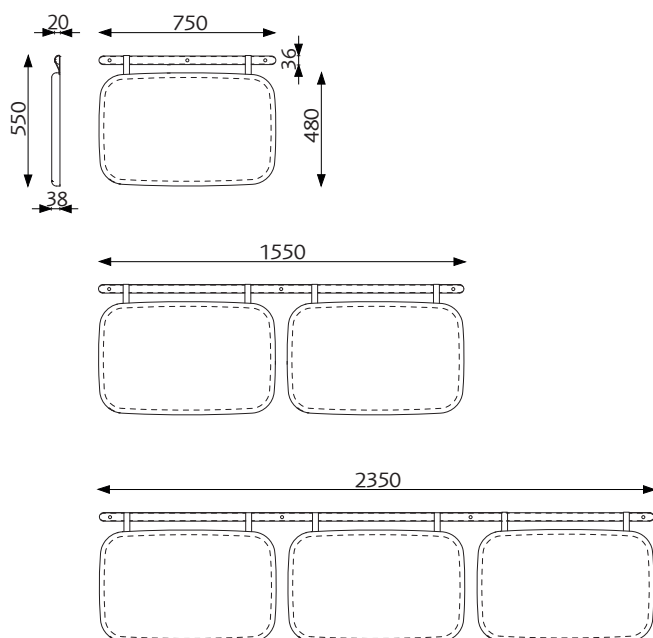
DIMENSIONS

Length: 750 / 1550 / 2350 mm

Height: 550 mm

Thickness: 38 mm

Weight: 3.5 / 7.0 / 10.5 kg



DESCRIPTION

Acoustic wall panels hanging on a wooden birch bar.

Body: 30 mm polyether (Oeko-Tex) glued on 8 mm MDF board (Nordic Ecolabel).

Upholstery: Upholstered with fabric nailed on the back.

Suspension: 36 mm half round birch bar. Length adjusted for one, two or three panels.

Installation: The half rounded bar is screwed on the wall and the panels are suspended with leather straps.

100 % recyclable materials.

FABRIC AND PIPING

Look in Product sheet Fabric and piping.pdf for our standard fabrics, you can download it here: <http://glimakra.com/en/download/>.

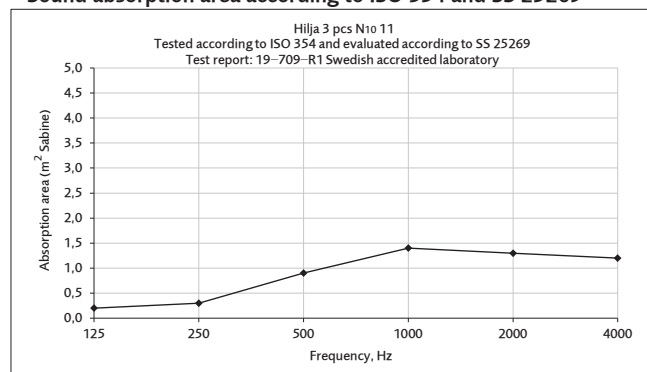
OPTIONS

Stain: The wooden bar can be stained on request.

CERTIFICATES

Acoustics: Measurements made in accordance with ISO 354. Evaluation made according to standards for individual objects SS 25269 (Report 19-709-R1, Date 2019-04-08, Akustikverkstan, laboratory accredited by Swedac)

Sound absorption area according to ISO 354 and SS 25269



Glimakra of Sweden AB is certified according to ISO 9001:2015 and ISO 14001:2015.



SPECIFICATION TEXT

E.g: 3 pcs Glimakra Hilja wall absorbent 750 x 480 x 38 mm superellipse with leather straps.

Fabric Blazer CUZ1E.

1 pc half round birch bar 2350 x 36 mm.

Hilja

Wall absorbent / Backrest

Design: Johan Kauppi

