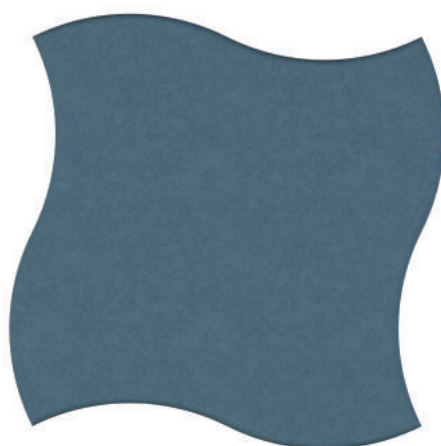


PRODUCT SHEET / 2021 08 12

Ocean

Wall absorbent

Design: Maria Grönberg



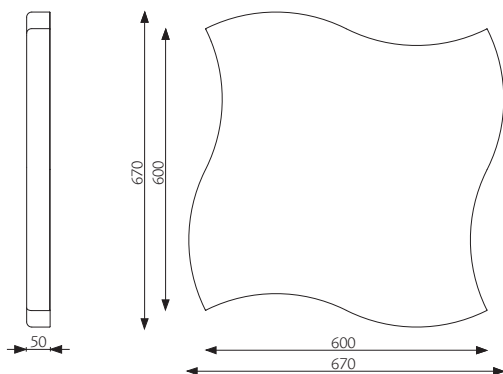
Ocean

Wall absorbent

Design: Maria Grönberg

Ocean is a high-absorbing wall absorbent with a flowing shape. The fabric is nailed to the solid body with high quality and precision. The large selection of standard fabrics provide almost unlimited opportunities to create beautiful and functional wall environments. The panels are easy to install using aluminum rails screwed to the wall.

DIMENSIONS



Thickness: 50 mm

Weight: 6 kg

DESCRIPTION

Body: 40 mm polyether (Oeko-Tex) glued on 8 mm MDF board (Nordic Ecolabel).

Upholstery: Upholstered with fabric nailed on the back.

Installation: Mounting with aluminum rails screwed to the wall.



100 % recyclable materials.

FABRIC AND PIPING

Look in Product sheet Fabric and piping.pdf for our standard fabrics, you can download it here: <http://glimakra.com/en/download/>.

OPTIONS

Installation: Alternative mounting with panel click button connectors, e.g. when sloping walls.

Ocean

Wall absorbent

Design: Maria Grönberg



CERTIFICATES

Acoustics: Measurements made in accordance with ISO 354:2003. Evaluation made according to standards for individual objects SS 25269:2013, 2015-12-26, and ISO 11654:1997. (Report 10171560.02, Date 2013-01-04, WSP Akustik)

Möbelfakta: This product has been declared and approved according to the criteria of Möbelfakta ver. 2019-05-01. Reg. number 0220160127. Validity: until 2026-01-27.

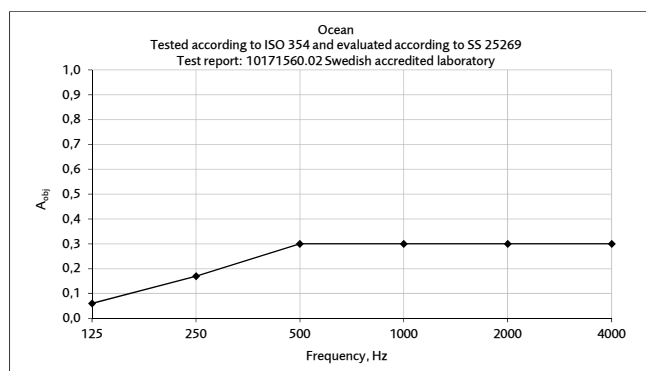


Glimakra of Sweden AB is certified according to ISO 9001:2015 and ISO 14001:2015.

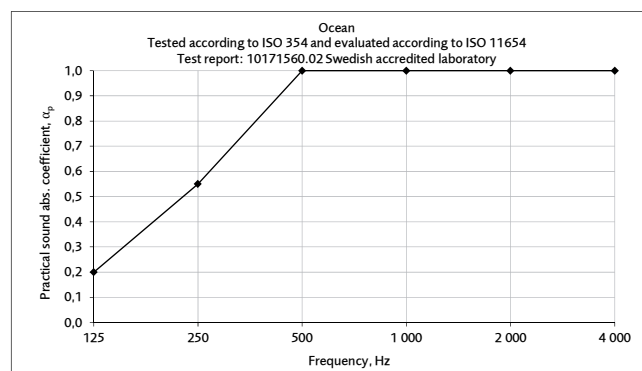


SPECIFICATION TEXT

E.g: Glimakra Ocean wall panel 1870 x 1870 mm consisting of:
 1 pc Ocean 670 x 670 mm, fabric: Blazer CUZ1R
 4 pcs Ocean 670 x 670 mm, fabric: Blazer CUZ28
 4 pcs Ocean 670 x 670 mm, fabric: Blazer CUZ62
 Installation with aluminum rails for easy wall mounting.
 Acoustics evaluated according to SS 25269.
 Meet the criteria of Möbelfakta.



Equivalent absorption area per object (m²S/object)



Equivalent absorption area per m² screen surface (m²S/m²)

Ocean

Wall absorbent

Design: Maria Grönberg

