

PRODUCT SHEET / 2018 04 06

# LimbusFurniture Coatrack

Acoustic furniture

Design: Team Glimakra



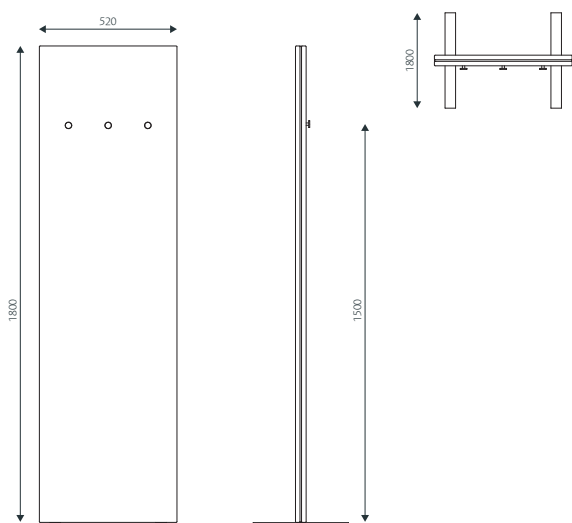
# LimbusFurniture Coatrack

Acoustic furniture

Design: Team Glimakra

LimbusFurniture Coatrack in the range of Limbus by Glimakra has both sound absorbing and sound reducing properties. The wide range of fabrics and pipings makes it possible to customise the colour scheme to all environments. Wooden parts in white stained ash give a modern look and captures our long tradition of craftsmanship.

## DIMENSIONS



Thickness: 40 mm

Weight: 14 kg

## DESCRIPTION

Body: 15 mm sound absorbing polyether (Oeko-Tex) glued on both sides of an 8 mm sound reducing MDF board (Nordic Ecolabel) with a 40 mm frame.

Upholstery: Upholstered with nailed fabric on both sides. The nails are covered with a decorative piping.

Feet: Chromed feet with integrated legs.

Hooks: 3 retractable hooks in aluminium.

Wooden parts: Integrated white stained solid ash.

100% recyclable materials.

## FABRIC AND PIPING

Look in Product sheet Fabric and piping.pdf for our standard fabrics, you can download it here: <http://glimakra.com/en/download/>

## CERTIFICATES

Acoustics: Measurements made in accordance with ISO 354:2003. Evaluation made according to standards for individual objects SS 25269:2013 (Report 10171560.03, Date 2012-01-30, WSP Akustik, laboratory accredited by Swedac)



Möbelfakta: The product has been declared and approved in accordance with the criteria for floor screens in Möbelfakta ver. 2015-05-01. Reg. No: 0220151216. Valid until 2020-12-16.



Glimakra of Sweden AB is certified according to ISO 9001:2015 and ISO 14001:2015.

## SPECIFICATION TEXT

E.g: Glimakra LimbusFurniture Coatrack 520 x 1800 x 40 mm.

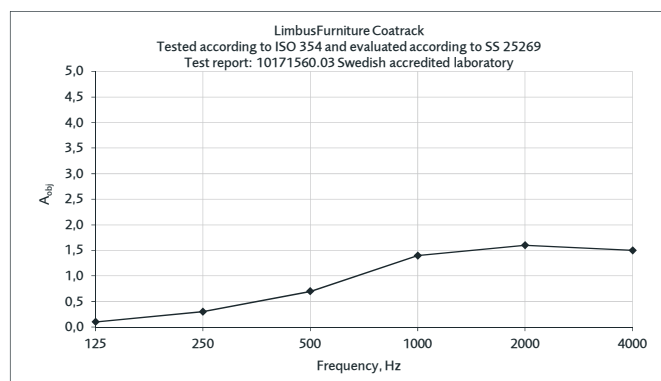
Certified according to Möbelfakta.

2 x 15 mm sound absorbing polyether on both sides of an 8 mm sound reducing MDF board.

Fabric front: Blazer CUZ 28. Fabric back: Blazer CUZ 30.

Piping: black 190.

Retractable hooks in aluminium integrated in white stained solid ash.



Equivalent absorption area per object (m<sup>2</sup>S/object)

PRODUCT SHEET / 2018 04 06

# LimbusFurniture Coatrack

Acoustic furniture

Design: Team Glimakra

