

PRODUCT SHEET / 2019 12 18

LimbusFurniture Hood

Acoustic furniture

Design: Team Glimakra



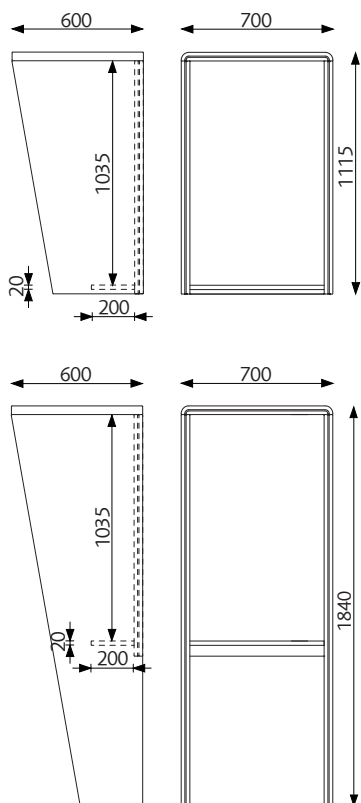
LimbusFurniture Hood

Acoustic furniture

Design: Team Glimakra

LimbusFurniture Hood is a wall-mounted telephone hood that targets the need of temporary small workplaces for private standing work or phone calls at the activity-based office. The design with rounded corners breathes quality and the large selection of standard fabrics provide almost unlimited opportunities to customise the colour scheme to most environments.

DIMENSIONS



Thickness: 40 mm

Shelf:

Width: 620 mm

Thickness: 20 mm

Height above floor: 1020 mm

Suspension rail:



Installation height:

1950 mm above the floor

DESCRIPTION

Body: 15 mm sound absorbing polyether (Oeko-Tex) glued on both sides of an 8 mm sound reducing MDF board (Nordic Ecolabel) with a 40 mm frame.

Upholstery: Upholstered with fabric on both sides. The nails are covered with a decorative piping.

Shelf: 19 mm MDF-board (Nordic Ecolabel) with white stained ash veneer.

Mounting: Connected with hidden keyhole fittings in rounded corners, RC. Delivered unassembled.

Mounting: Suspension rail screwed to the wall. The hood has a rail on the back that is hooked into the suspension rail.

100% recyclable materials.

FABRIC AND PIPING

Look in Product sheet Fabric and piping.pdf for our standard fabrics, you can download it here: <http://glimakra.com/en/download/>.

LimbusFurniture Hood

Acoustic furniture

Design: Team Glimakra



CERTIFICATE

Acoustics: Measurements made in accordance with ISO 354:2003. Evaluation made according to standards for individual objects SS 25269:2013 (Report 10171560.03, Date 2012-01-30, WSP Akustik, laboratory accredited by Swedac)

Möbelfakta: The product meets the requirements for environment and social responsibility defined by Möbelfakta.

Glimakra of Sweden AB is certified according to ISO 9001:2008 and ISO 14001:2004.



SPECIFICATION TEXT

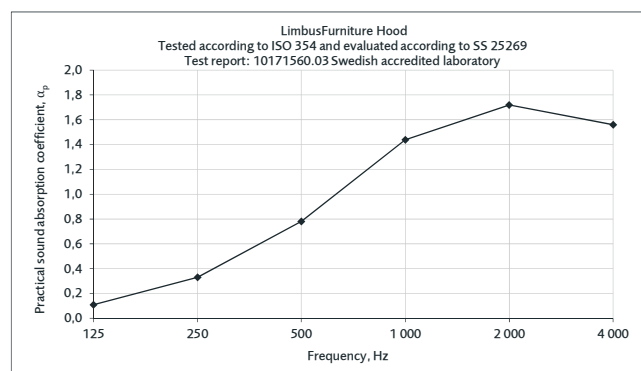
E.g: Glimakra LimbusFurniture Hood long 700 x 600 x 1840 mm. Hidden connections.

2 x 15 mm sound absorbing polyether on both sides of an 8 mm sound reducing MDF board.

Fabric: Blazer CUZ 28 on the inside and Blazer CUZ 30 on the outside. No visible seams. Nails hidden by piping black 190.

Acoustics evaluated according to SS 25269.

Fixed shelf in white stained ash.



Equivalent absorption area per m^2 screen surface (m^2S/m^2)

PRODUCT SHEET / 2019 12 18

LimbusFurniture Hood

Acoustic furniture

Design: Team Glimakra

