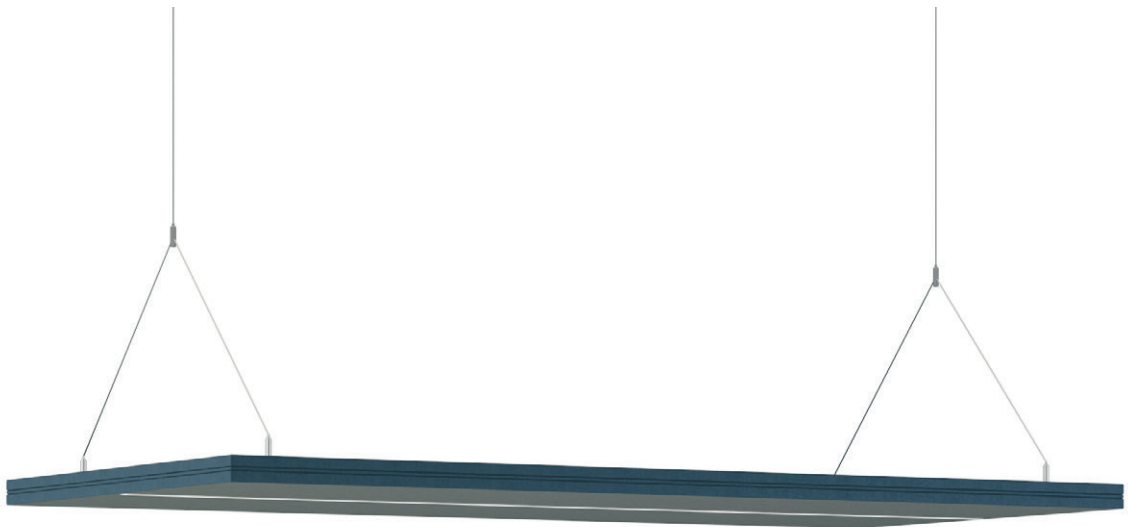


PRODUCT SHEET / 2019 06 11

# LimbusLighting Horizontal 40

Suspended lighting with sound absorption

Design: Team Glimakra



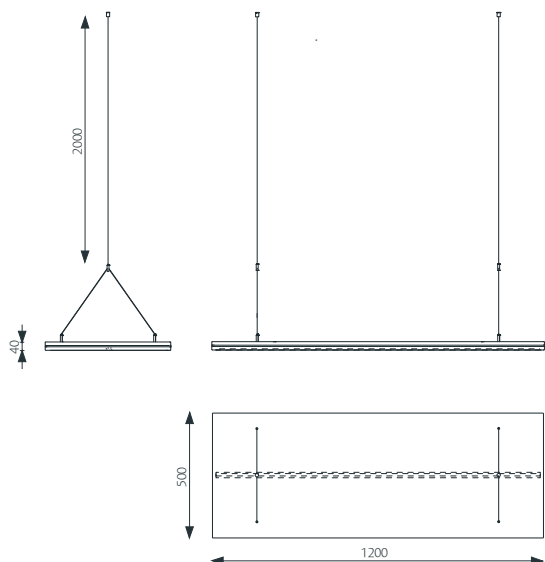
# LimbusLighting Horizontal 40

Suspended lighting with sound absorption

Design: Team Glimakra

LimbusLighting Horizontal 40 is a ceiling-suspended absorbent with lighting to hang above or between workplaces. LimbusLighting Horizontal 40 has the same sound absorbing and sound reducing properties as LimbusLighting Horizontal.

## DIMENSIONS



Other dimensions on request.

LimbusLighting Horizontal 40

Weight [kg]: 7,8 kg

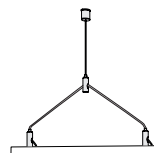
## DESCRIPTION

Body: 15 mm sound absorbing polyether (Oeko-Tex) glued on both sides of an 8 mm sound reducing MDF board (Nordic Ecolabel) with a 40 mm frame.

Upholstery: Upholstered with fabric on both sides. The nails are covered with a decorative piping.

Suspension: Attached to the ceiling with an easily adjustable wire, 1.5 mm. Length 2 m.

Recommended mounting height: 2 m above the floor.



Light source: Dimmable LED strip in aluminum rail.

Dimmable trough cord.

1758 lm/m, effect: 14.2 W/m Premium.

Beam angle: 120°

Correlated colour temperature (CCT): 3000 K

Optics: White, polycarbonate reflectors.

Power supply: Driver 24 V, placed on top of the panel.

Cable: 2 m, with European plug

## FABRIC AND PIPING

Look in Product sheet Fabric and piping.pdf for our standard fabrics, you can download it here: <http://glimakra.com/en/download/>

# LimbusLighting Horizontal 40

Suspended lighting with sound absorption

Design: Team Glimakra

## CERTIFICATE

Acoustics: Measurements made in accordance with ISO 354:2003. Evaluation made according to standards for individual objects SS 25269:2013 (Report 10171560.03, Date 2012-01-30, WSP Akustik, laboratory accredited by Swedac)

Möbelfakta: The product has been declared and approved in accordance with the criteria for floor screens in Möbelfakta ver. 2015-05-01. Reg. No: 0420151216. Valid until 2020-12-16.

Glimakra of Sweden AB is certified according to ISO 9001:2015 and ISO 14001:2015.



## SPECIFICATION TEXT

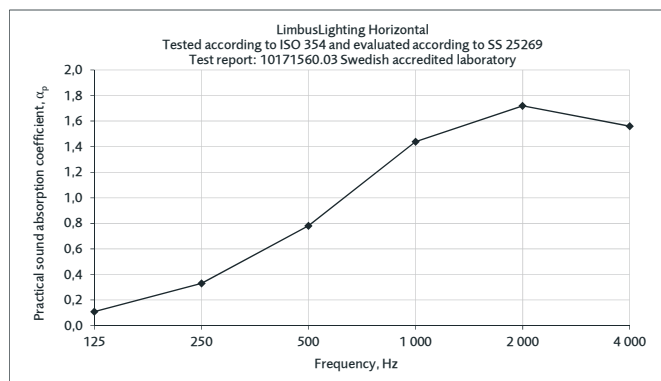
E.g: Glimakra LimbusLighting Horizontal 40, 1758 lm/m  
1200 x 500 x 40 mm.

2 x 15 mm sound absorbing polyether on both sides of an  
8 mm sound reducing MDF board. Sharp corners.

Fabric: Blazer CUZ 28. No visible seams. Nails hidden by  
piping black 190.

Acoustics evaluated according to SS 25269.

Integrated LED strip 19.2 W/m, 24 V Premuim.



### Equivalent absorption area per m<sup>2</sup> panel surface (m<sup>2</sup>S/m<sup>2</sup>)

The values are to be multiplied by the panel area.

# LimbusLighting Horizontal 40

Suspended lighting with sound absorption

Design: Team Glimakra

