

PRODUCT SHEET / 2018 04 10



LimbusLighting TableLamp

Table lamp

Design: Shawn Littrell

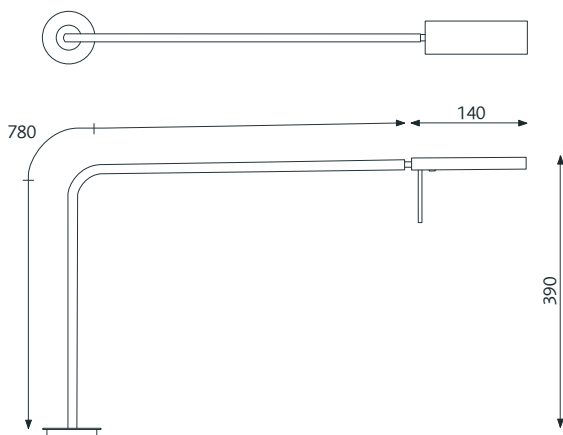


LimbusLighting TableLamp

Table lamp

Design: Shawn Littrell

Limbus table lamp has a flexible head mounted in an integrated table fitting in Limbus table top. It can be retrofitted by drilling a hole $\varnothing 60$ mm in the tabletop. Limbus table lamp is extremely energy efficient and equipped with the best light emitting diodes, LED, which give a warm and comfortable light while saving energy. The LED has a long lifespan of 50,000 hours. It corresponds to 25 or more years at normal office use. Limbus table lamp is dimmable and has a timer that turns off the light automatically after 4 or 9 hours to save energy.



OPTIONS

Colour: White and black.

CERTIFICATE

Glimakra of Sweden AB is certified according to ISO 9001:2015 and ISO 14001:2015.

SPECIFICATION TEXT

E.g: Limbus table lamp LED 6 W with integrated table bracket.

Colour: White

Equipped with dimmer and auto shut-off.

Glare free.

DIMENSIONS

Arm length: 780 mm

Armature head: 140 mm

Height over table: 390 mm

Weight: 0.6 kg

DESCRIPTION

Light source: 1 x integrated LED module 6W

Correlated colour temperature (CCT): 3250 K

Colour rendition index (CRI): 90

Optics: Asymmetric light output. White, polycarbonate reflectors.

Timer: The light will automatically shut off after 4 or 9 hours to save energy.

Power supply: Plug-in 18 V power supply.

Arm technology and movement: Up-and-down and rotational head movement.

Material: Metal body of zinc, steel and aluminium.

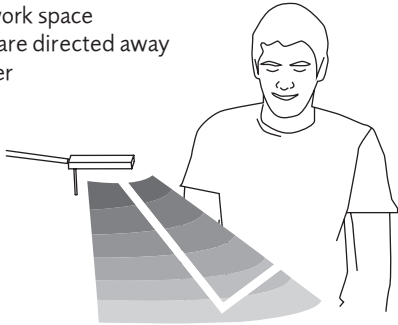
Mounting: Integrated table fitting. Enclosed for alternative mounting, table fitting for edge mounting, 45 x 75 mm white for table thickness: 0-58 mm.

LimbusLighting TableLamp

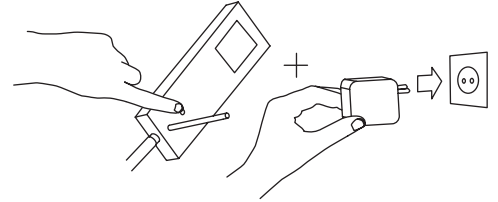
Table lamp

Design: Shawn Littrell

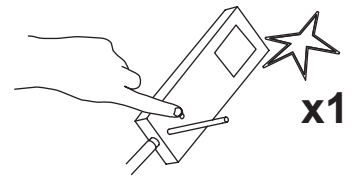
Glare free work space
Reflections are directed away
from the user



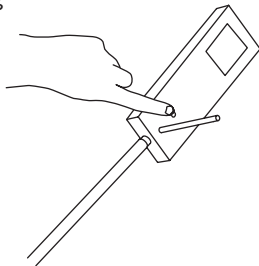
4 hours auto shut-off
To change from 9 hours (standard)
to 4 hours auto shut-off:



1. Press and hold the switch
while you plug in the light
2. Light pulsates one
time for confirmation



On/off + dimming



9 hours auto shut-off
To change from 4 hours
to 9 hours auto shut-off:

1. Press and hold the switch
while you plug in the light
2. Light pulsates two
times for confirmation

