

Limbus Sub

Work booth

Design: Team Glimakra



Limbus Sub

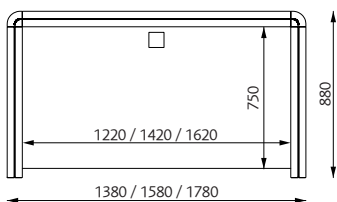
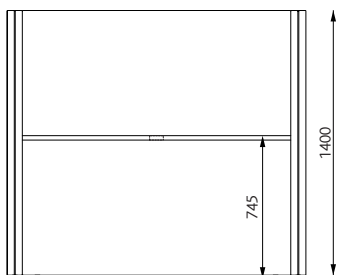
Work booth

Design: Team Glimakra

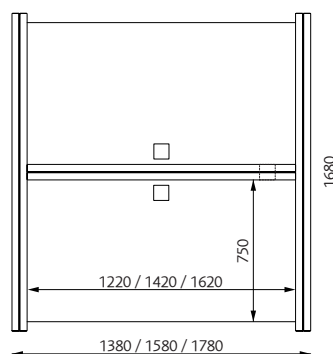
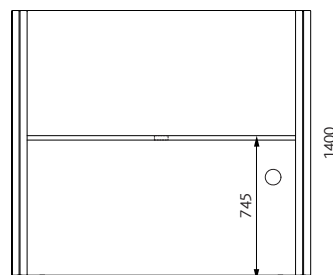
Limbus Sub work booth in C or H formation targets the need of workplaces for individual focused work at the activity-based office. Limbus Sub is our most sound-absorbing screen and is well suited for work booths where sound absorption has to be maximized. The low weight means that even large screens are very easy to move. The flexibility in size and fabric selection allows the screens to be customized to most environments.

DIMENSIONS

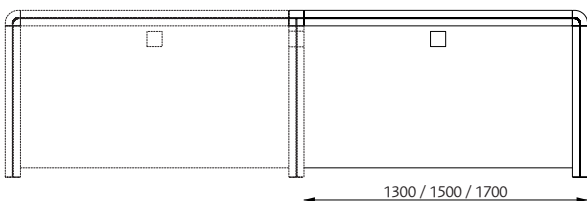
Basic C:



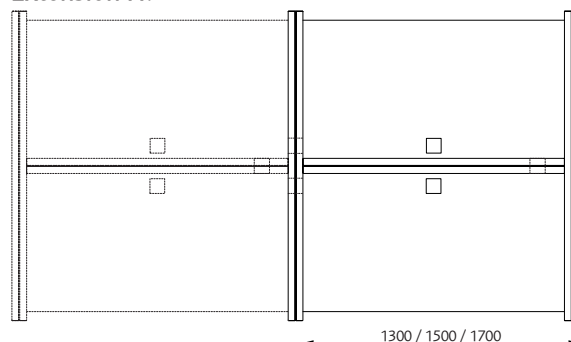
Basic H:



Extension C:



Extension H:



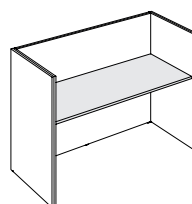
Other dimensions on request.

Thickness: 80 mm

Tabletop for C and H formation:

Width fixed tabletop: 80 mm shorter than the outside dimension of the booth

Width height adjustable tabletop: 100 mm shorter than the outside dimension of the booth



Depth: 750 mm
Height tabletop: 745 mm
Height over table: 650 mm

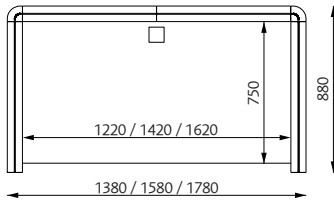
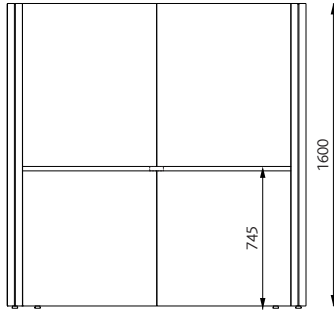
Limbus Sub

Work booth

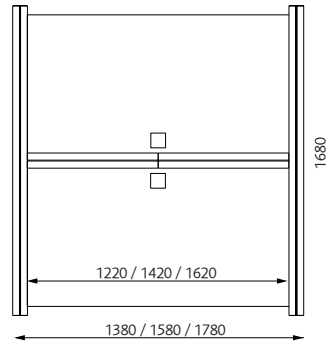
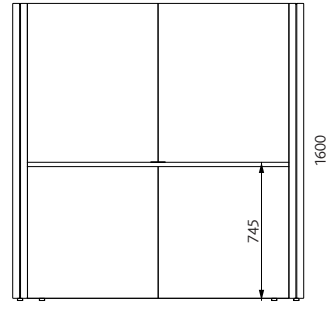
Design: Team Glimakra

DIMENSIONS

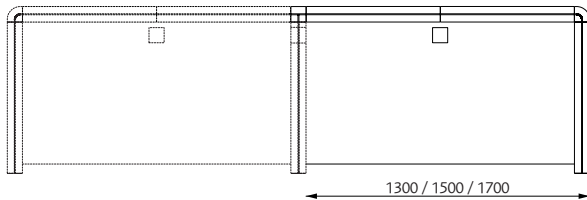
Basic C:



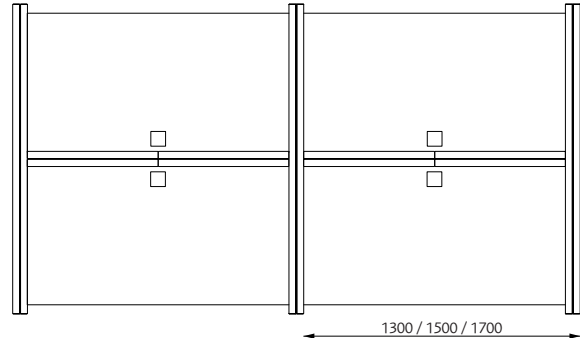
Basic H:



Extension C:



Extension H:



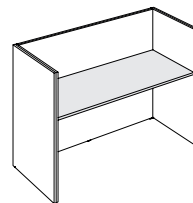
Other dimensions on request.

Thickness: 80 mm

Tabletop for C and H formation:

Width fixed tabletop: 80 mm shorter than the outside dimension of the booth

Width height adjustable tabletop: 100 mm shorter than the outside dimension of the booth



Depth: 750 mm

Height tabletop: 745 mm

Height over table: 850 mm

Limbus Sub

Work booth

Design: Team Glimakra



DESCRIPTION

A wooden frame 80 x 30 mm, joined together with sharp corners and filled with an 80 mm solid sound absorbing polyether (Oeko-Tex). Prepared with grey cable feedtrough Ø80 between workplaces.

Upholstery: Upholstered with fabric on both sides. The nails are covered with a decorative piping.

Tabletop: Veneer or laminate with cable feedtrough in aluminium.

Mounting: Connected with hidden keyhole fittings.

Connection: Upholstered connection poles 90° (rounded), 3-way or 4-way.

Delivered unassembled.

100% recyclable materials.

FABRIC AND PIPING

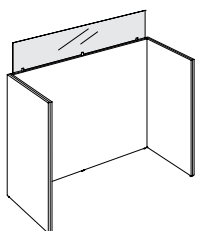
Look in Product sheet Fabric and piping.pdf for our standard fabrics, you can download it here: <http://glimakra.com/en/download/>

OPTIONS

Tabletop 22 mm: Veneer in ash, birch, beech and oak.

Laminate in birch, beech, oak, white, black and grey.

The worktop can be equipped with powerdot with for example power, USB and data.



Addon: Dimensioned add on screen in acrylic plastic. More information in separate product sheet.

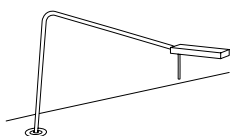


Table Lamp Ninety, with integrated table fitting. More information in separate product sheet.

CERTIFICATES

Acoustics: Measurements of consisting screens made in accordance with ISO 354:2003. Evaluation made according to standards for individual objects SS 25269:2013 (Report 14-186-M1, Date 2014-12-10, Akustikverkstan, laboratory accredited by Swedac)

Möbelfakta: The product meets the requirements for environment and responsible supply chains defined by Möbelfakta.

Glimakra of Sweden AB is certified according to ISO 9001:2015 and ISO 14001:2015.



SPECIFICATION TEXT

E.g: Glimakra Limbus Sub H formation

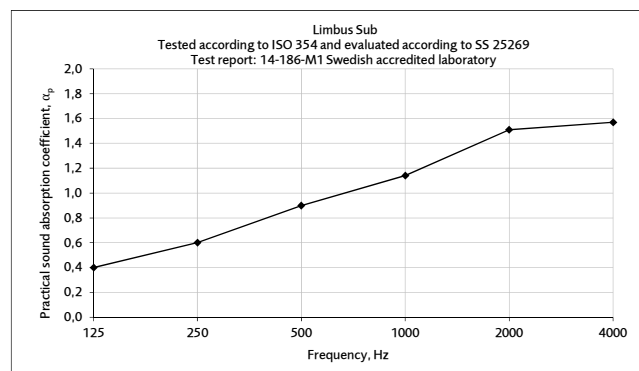
1700 x 1680 x 1420 mm. Hidden connections.

80 mm sound absorbing filling. Sharp corners.

Fabric: Blazer CUZ 28 on the inside and Blazer CUZ 30 on the outside. No visible seams. Nails hidden by piping black 190.

Acoustics evaluated according to SS 25269.

2 fixed tabletops in 22 mm ash veneer.



Equivalent absorption area per m² screen surface (m²S/m²)

The values are to be multiplied by the screens area.

Limbus Sub

Work booth

Design: Team Glimakra

