

Gemini

Floor screen / Mobile writing board

Design: Stone Designs



Gemini

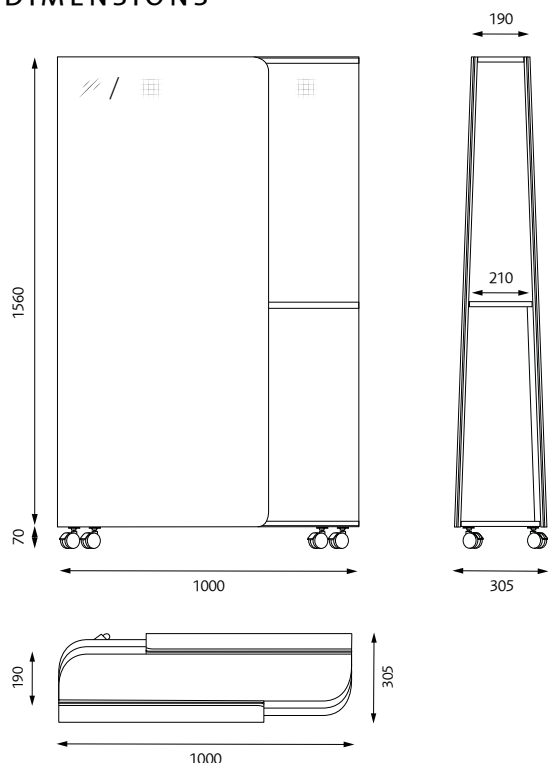
Floor screen / Mobile writing board

Design: Stone Designs



A flexible multifunction furniture that works just as well as a divider, writing board or mobile storage shelf. The front and back consist of either a writing board or a sound absorber, or a combination of these. The practical shelf can be used for plants, books or other storage. The inside is always upholstered with fabric.

DIMENSIONS



Total weight: 39 kg.

DESCRIPTION

Material in light weight MDF.

Upholstery: Upholstered with fabric on the inside, the outside can either be upholstered or have a magnetic writing board.

The nails are covered with a decorative piping.

Installation: Sold pre-assembled. Shelf in solid ash, 20 mm, treatment either natural (10% white) or stain.

Lockable castors.

Made in Sweden

FABRIC AND PIPING

Look in Product sheet Fabric and piping.pdf for our standard fabrics, you can download it here: <http://glimakra.com/en/download/>.

CERTIFICATES

Glimakra of Sweden AB is certified according to ISO 9001:2015 and ISO 14001:2015.



Acoustics: Measurements made in accordance with ISO 354. Evaluation made according to standards for individual objects SS 25269 (Report 20-713-M1 and 20-713-M2, Date 2020-03-31, Akustikverkstan, laboratory accredited by Swedac).

NRC value: NRC=0.55 (Report Annex GOS2201.01_C, Date 2022-03-06, Acouwood AB)

SPECIFICATION TEXT

E.g: Gemini Floor screen with storage and magnetic writing boards. Fabric: Blazer CUZ 1E on the inside. Nails hidden by fabric piping black 190.

Gemini

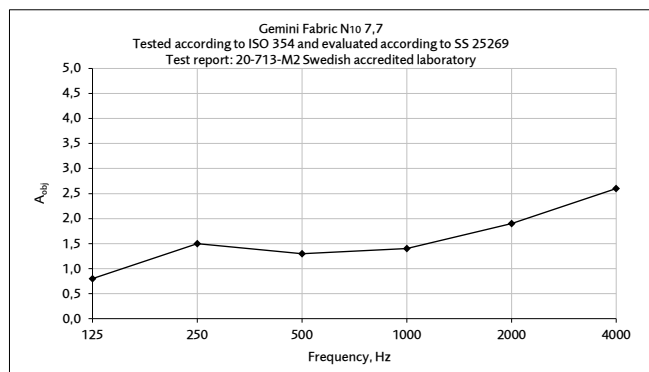
Floor screen / Mobile writing board

Design: Stone Designs

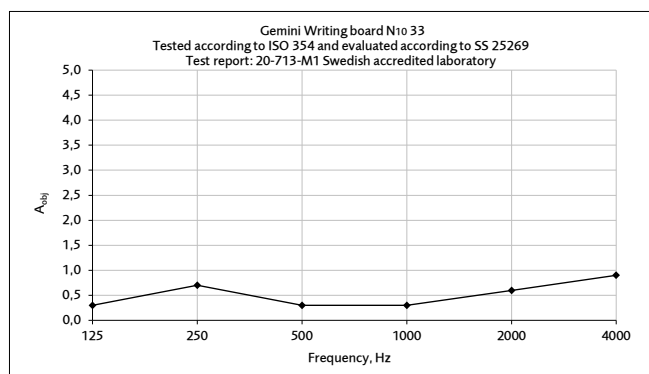


Sound absorption area according to ISO 354 and SS 25269

Gemini Fabric



Gemini Writing



Gemini

Floor screen / Mobile writing board

Design: Stone Designs



GLIMAKRA
OF SWEDEN

